



Short disc combination

Orkan



Orkan

There were normal cultivators reach their limits, the Orkan provides an intensive mixing of the soil also under difficult conditions. Especially at a low working depth from 3 to 12 cm, the whirlwind from Regent shows its power. In contrast to rigid tools, at the Orkan, big rotating concave discs and the open frame construction with big spaces, are responsible for a work without blockages.

EXAMPLE FOR GOOD STRAW MANAGEMENT, MULCH SEEDING AND MINIMAL SOIL TILLAGE

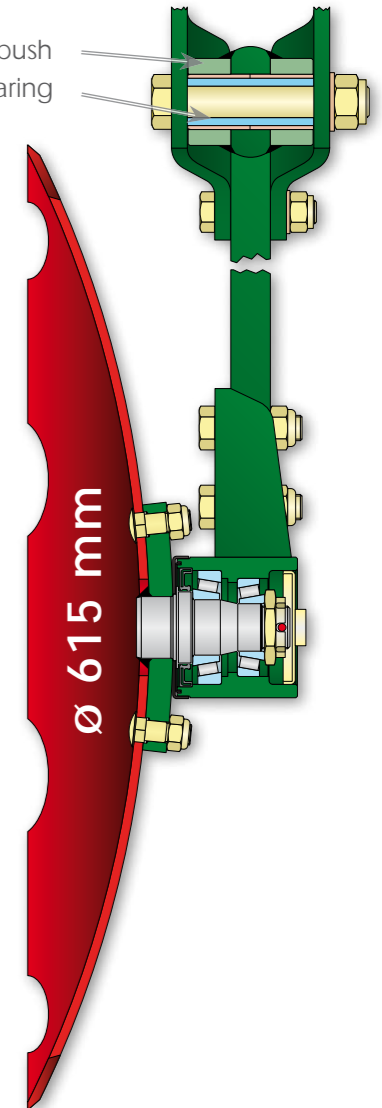
Advantages of the Orkan power harrow

- Compact construction
- Big ground clearance of 80 cm
- Strong frame construction of two bars and square tubing of 100 x100 mm
- serially with stable pocket hitch
- good pull-in performance by an optimal angle of the discs
- Easy to pull and big scalloped concave discs with 615 x 6 mm diameter.
- Intensive mixing of residues and soil even at shallow working depth.
- No blocking because of rotating tools
- Big area performance because of high working speed.
- The block clapping (as of 4 m) ensures safe transport despite bigger working widths.
- Through the mounted waggon a considerate transport is enabled for the tractor.
- Transport width 3 m (transport width for Orkan 4000 and 4500 2,5 m)
- Maintenance-free bearing



Movement not on the pin, but with a bearing bush.

Bearing bush
Slide bearing



- Permanent lubrication
- No maintenance
- High tensile taper roller bearings
- Castle nut saved against torsion
- Easy moving with very little wear
- Double sealing against dirt and moisture

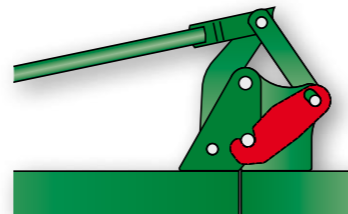
Overload safety device

- Single sprung disc elements are protecting against damages
- Optimal guidance of the beam because of tension on the disc elements
- Stabilising the units sideways with pressed guidance plates
- Big clearance above, unit can move upwards



Interlocking fixing system

- All hydraulic foldable power harrows are equipped with an interlocking fixing system.
- This fixing system prevents outer sections from coming up in working position, that is why the machine gets rigid across the entire width.



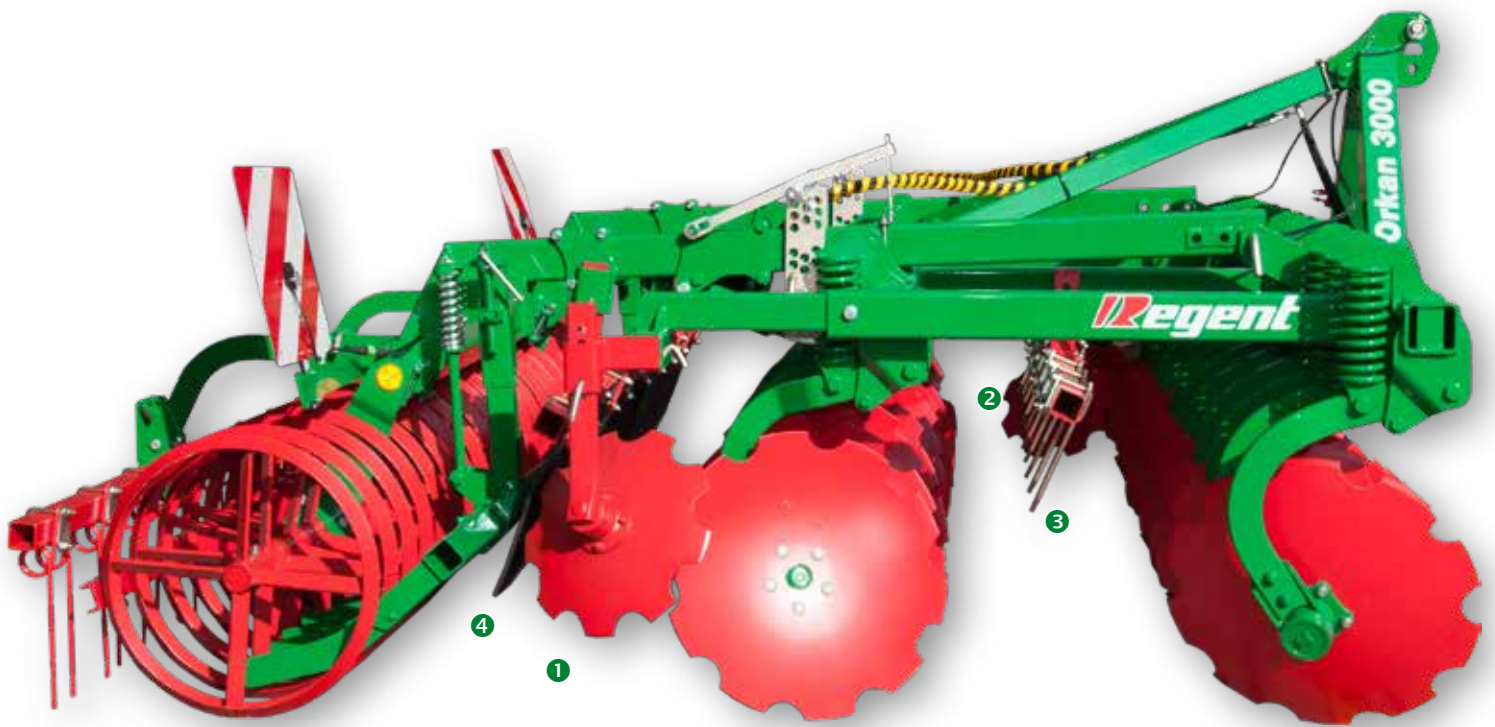
Hydraulic depth adjustment

- Through a perforated plate 2 working depths can be adjusted in advance tool-free. These can be selected hydraulically during operation.



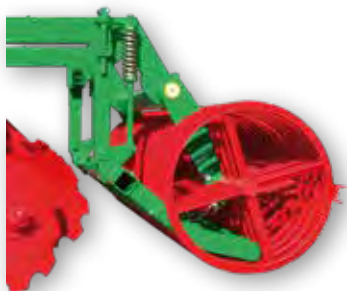
Safe function and high stability, result in a high area performance





Side discs (option)

➤ Notched side discs ① + ② enable an optimal connection, this is very advantageous for the seedbed preparation



Guide plate & guide rubber beam

- The new guide plate ③ and the guide rubber beam ④ (as option) ensure an even better straw management.
- The essential advantage of these new beams is the better straw deposition between the first and second disc row.
- The crop residues (maize etc.) are always put down under the trailing roller tiller.

Double roller tiller

- Front ø450 mm, at the back ø400 mm
- Very good mixing effect by combi-mix-system
- Intense crushing and crumbling due to different diameters of the rollers
- Smooth run due to pendulum suspension
- Exact depth guidance through double contact area
- Trailing curry comb (optionally):
for a very good closing levelling of the surface of the soil structure

Ring roller with wipe baulk

- ø 600 mm
- Very well suited for mulch seeding
- Intense crushing and crumbling due to the pre-strike harrow which is adjustable in height
- Very good mixing and cleaning effect through twisted spokes
- Trailing curry comb (optionally):
for a very good closing levelling of the surface of the soil structure

Orkan	Working width cm	Amount of discs	Diameter of discs mm	Distance of lines cm	Transport width cm	Frame height cm	Hydr. folding	Weight without roller kg	Weight with double roller tiller kg	Weight with ring roller kg
3000	300	24	615	12	300	80	×	1300	1711	1780
3500	350	28	615	12	350	80	×	1580	×	2140
4000	400	32	615	12	255	80	✓	2260	2810	2900
4500	450	36	615	12	255	80	✓	2360	3010	3080
5000	500	40	615	12	300	80	✓	2560	3290	3360
5500	550	44	615	12	300	80	✓	2850	3660	3730
6000	600	48	615	12	300	80	✓	3150	4060	4110